

CL35



DUMPING HEIGHT

7'9"

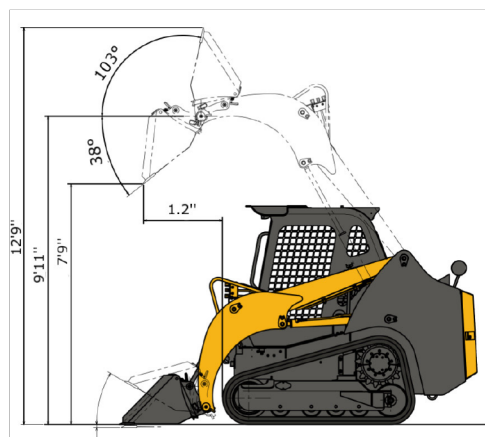
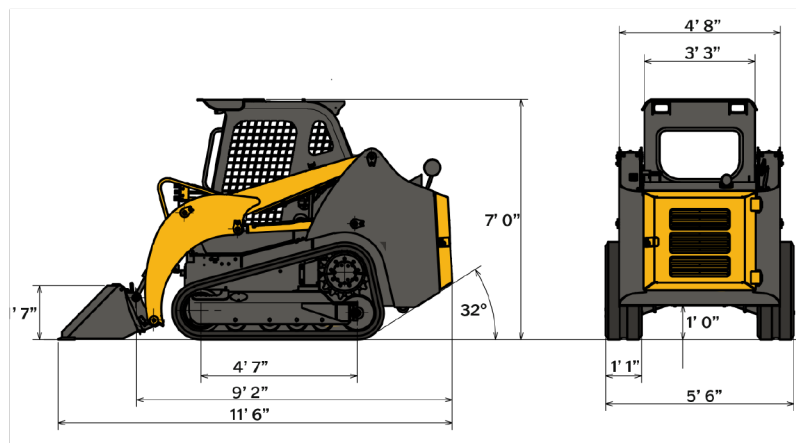
OUTPUT RATING

62HP

OPERATING WEIGHT

7,804.4 LBS

KATO



CL35		Working Ranges
A.	Max Operating Height	12'9"
B.	Max Hinge-pin Height	9'11"
C.	Max Dumping Height	7'9"
D.	Max Reach - Raised	1.2"

CL35

Performance	
Heaped Bucket Capacity	12.7 ft ³
Bucket Width	5' 8"
Operating Weight (Canopy/Cab)	7,804.4 lbs / 7,936.6 lbs
Transport Weight (Canopy/Cab)	7,639.0 lbs / 7,771.3 lbs
Gradeability	30°
Travel Speed (High/Low)	4.2 mph / 6.2 mph
Tipping Capacity	4,916.3 lbs
Rated Capacity (35% Tip)	1720.7 lbs
Operating Capacity (50% Tip)	2458.2 lbs
Ground Pressure (Canopy/Cab)	5.62 psi / 5.71 psi
Bucket Digging Force	6,474 lbs.
Engine	
Model	KUBOTA V2403-CR
Output Rating	62 hp / 2,700rpm
Fuel Tank Capacity	24 gallons
Battery	12V
Fuel Consumption	1.26 gal/hr
Hydraulic System	
System Pressure	2,987.8 psi
Hydraulic Tank Capacity	10.6 gal
Aux. Hydraulic Flow	17 gpm

KATO

www.KATOCES.com

400 Production Court

Elizabethtown, KY 42701